

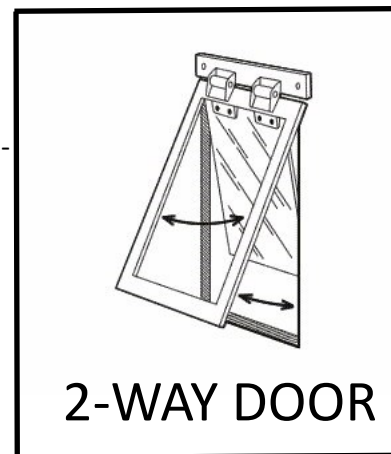
# Gun Dog House Door® Inc Installation Instructions

**YES, OUR DOORS ARE 2-WAY DOORS & ANY SIZE DOG CAN USE THESE DOORS!**

**Questions:** <https://gundoghousedoor.com/heavy-duty-dog-door/#product-videos>

Installing a Gun Dog House Door product is very simple: It is 4 simple steps:

1. Determine the height off the ground (typically 2" below the pets chest).
2. Create the correct size opening (see below table to identify your products opening requirement).
3. Add support structure, if necessary. This typically is vertical and horizontal studs.



Step 1) Determine the Height off the ground to install your new dog door:

- Pets should not change their body level when passing through a pet door.
- How high is the bottom of your pets chest off the ground?
- Use your answer from previous question and subtract 2". This value is the height to START your opening from

Step 2) Create the correct size opening: NOTE: additional wood framing may be required depending on your application.

<u>Size</u>	<u>Small</u>	<u>Medium/Large</u>	<u>Extra Large</u>
Product Name	Small Heavy Duty Dog Door® Small Easy Dog Door™	Heavy Duty Dog Door® Easy Dog Door™	Big Dog Door™ Easy Big Dog Door
<u>WITH</u> Trim Kit	9.75" x 14.75"	13.5" x 18.5"	17-3/16" x 26-1/8"
<u>WITHOUT</u> Trim Kit	9.0" x 14.0"	12.5" x 17.5"	16.5" x 25.5"

Step 3) If you did not purchase our PVC Trim Kit for a door or wall application, ensure the opening dimension listed above for your specific model is the finished opening with a 2" perimeter of flat mounting surface around the opening. Additional framing to your rough opening may be necessary for support when fastening the products to the mounting surface. Example: all screws/fasteners must be installed into solid structure otherwise they will loosen over-time resulting in the door falling off damaging the product and possibly injuring your pet.

Step 4) WITH Trim Kit Option (consists of 2 pieces with a pack of 8 screws - 1 for each corner for each side)

- The NARROWER piece is installed to the OUTSIDE of your application and the dog door MUST be installed to this piece otherwise the frame will not cover the entire opening.
- The LARGER piece is installed to the INTERIOR side of your application. The Closure kit is installed to this piece.

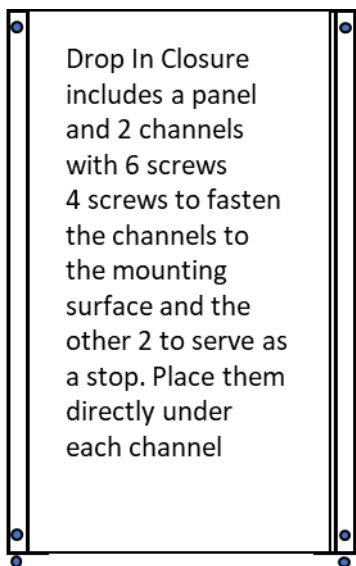
Step 4) WITHOUT Trim Kit Option

- Mount your dog door in the opening so that the frame covers the opening and the panel swings freely.
- Spring hinged doors only require 2 screws to mount (THEY MUST FASTEN INTO SOLID STRUCTURE)
- The Easy designed doors mount with 4 screws. The screws should mount into solid structure.

**TURN OVER FOR CLOSURE INSTALLATION & TRAINING**

# Gun Dog House Door® Inc

## Drop In & Guillotine Closure Kits



A screw under each channel serves as the stop

### Drop In Closure Panel Kits

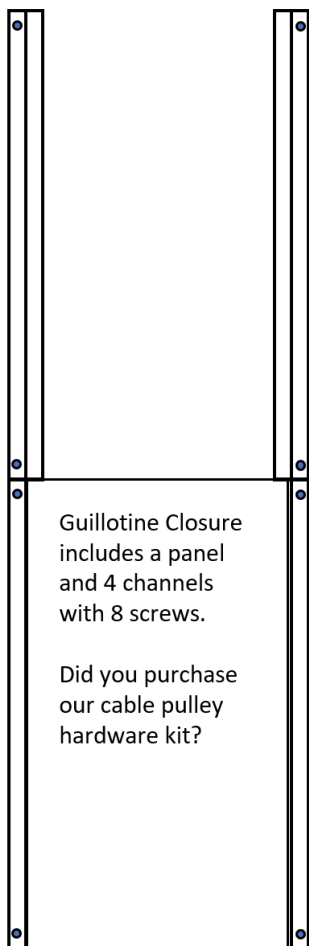
Step 1) Follow the S, M/L, XL openings in provided table

Step 2) Place channel edge 1 inch back from opening

Step 3) Fasten each channel with 2 screws - use remaining 2 screws to serve as a stop by placing under each channel

Step 4) Slide panel into channel

***For ease of operation, add a cupboard knob to the poly panel***



### Guillotine Closure Panel Kits

Step 1) Follow the S, M/L, XL openings in provided table

Step 2) Place channel edge 1 inch back from opening

Step 3) Fasten each channel with 2 screws to the mounting surface - Stack the remaining channels on top of the lower channels.

Step 4) Slide panel into channels

Step 5) Did you purchase the Cable/Pulley Hardware Kit?

- Drill eye screw into top of panel (centered)
- Loop cable through eyelet
- Use u-bolt to clamp cable to eyescrew
- Screw hook screws into ceiling
- Run cable through pulleys
- U-bolt carabiner to end of cable (correct length)

#### DOG DOOR TRAINING TIPS

Acclimate your pet by having 1 person on each side of the door encouraging the pet to go through. Use LOTS of treats & praise!

Some dogs will learn within a few sessions, other dogs can take several weeks before they consistently use the door. BE PATIENT!

Like any obedience command, once they understand the concept they will be masters going through the door faster than you can imagine.